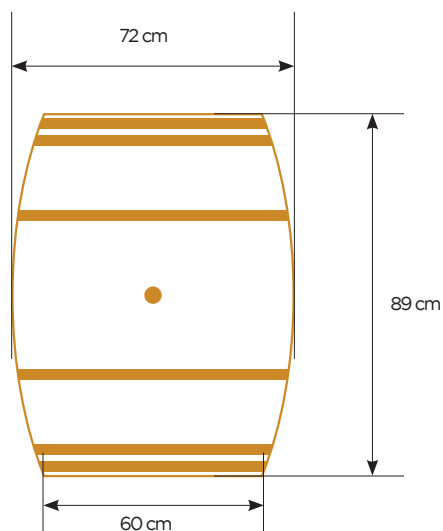
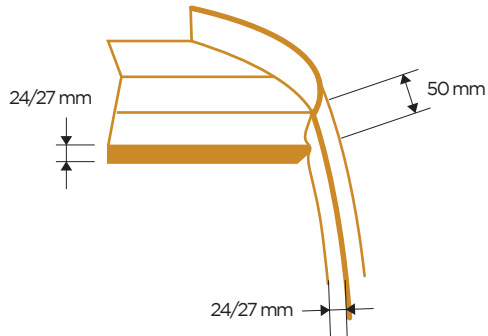


# BURGUNDY TRADITION

BURGUNDY TRADITION 228L



**Tonnellerie Vlad**  
TRANSILVANIA



## MANUFACTURE

Bending	Traditional, fire and water
Traditional wood fire toasting	Light Ember Toast (LET), Medium Ember Toast (MET) Heavy Ember Toast (HET)
Bung hole	Cauterized - Diameter 48/52
Heads	Oak with stainless steel pins and natural fixations
Watertightness testing	High pressure hot water
Options	Seasoning 36 months Toasted heads Hoops painted black Number of hoops Special laser engraving Spigot hole Wooden or silicone bung Specific laboratory analyses

## TYPE OF OAK

Romanian oak  
Naturally seasoned in the open air for a minimum of 24 months  
Checked for the absence of contaminants

## CERTIFICATIONS / ACCREDITATIONS

HACCP - PEFC/10-31-1660 - FSC



## PACKAGING

Identification by Lot Number  
Transport Wrapping - Cardboard end protections / bubble paper / cling wrap