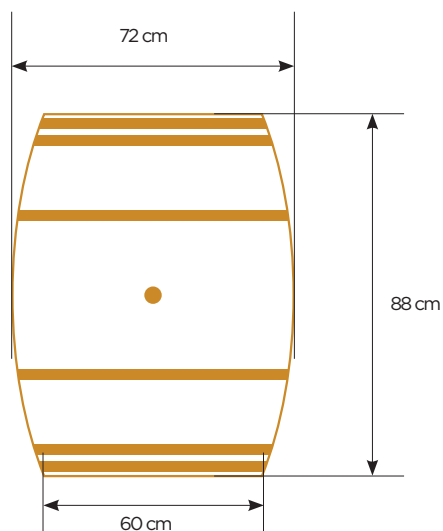
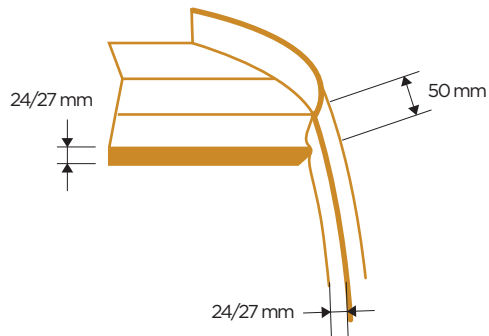


BURGUNDY EXPORT

BURGUNDY EXPORT 228L



Tonnellerie Vlad
TRANSILVANIA



MANUFACTURE

| | |
|--------------------------------|---|
| Bending | Traditional |
| Traditional wood fire toasting | Light Ember Toast (LET), Medium Ember Toast (MET) Heavy Ember Toast (HET) |
| Bung hole | Cauterized - Diameter 48/52 |
| Heads | Oak with stainless steel pins and natural fixations |
| Watertightness testing | High pressure hot water |
| Options | Seasoning 36 months Toasted heads Hoops painted black Number of hoops Special laser engraving Spigot hole Wooden or silicone bung Specific laboratory analyses |

TYPE OF OAK

Romanian oak

Naturally seasoned in the open air for a minimum of 24 months
Checked for the absence of contaminants

CERTIFICATIONS / ACCREDITATIONS

FSC® Accreditation Code : SA - COC - 005659



The mark of
responsible forestry

PACKAGING

Identification by Lot Number

Transport Wrapping - Cardboard end protections / bubble paper / cling wrap